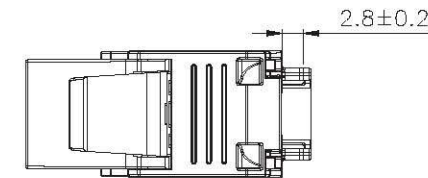
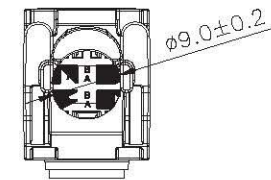
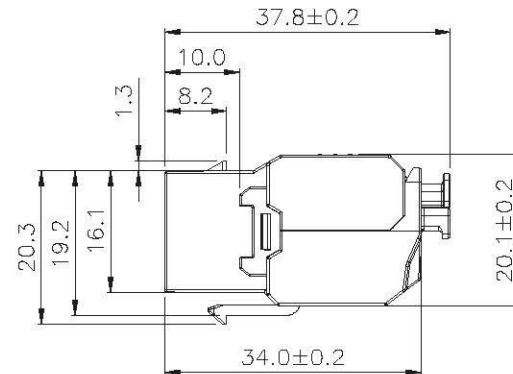
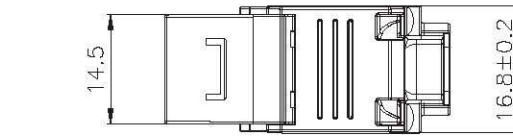
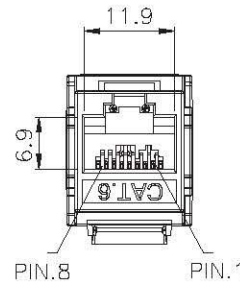


SCALE 1/1



Specification :

Material :

1. RJ45 Jack :
 - 1-1. Housing : ABS+PC, UL 94-V0, with optional color.
 - 1-2. Contact Bracket : PC, UL 94-V2, Transparent color.
2. RJ45 Jack Contact :
 - 2-1. Material : Phosphor Bronze with Nickel plated.
 - 2-2. Finish : 50 micro-inch Gold plated on Plug contact area.
3. Cap A&B : ABS+PC, UL 94-V0, Black color.
4. IDC :
 - 4-1. Housing : PC+Glass Fiber, Grey color(RAL7035), UL 94-V2.
 - 4-2. Terminal : Phosphor Bronze with Tin plated.
5. Cap For Toolfree : PC+Glass Fiber, White color, UL 94-V2.
6. Cap For Punch Down : PC+Glass Fiber, White color, UL 94-V2.
7. PCB : FR4, UL 94-V0.

Performance :

- a. T568A & T568B wiring.
- b. Insertion Force : 20N max. (IEC 60603-7-4).
- c. Retention Strength : 7.7 kg between Jack and Plug.
- d. Operating Temperature : -10°C to 60°C. (ISO/IEC 11801, ANSI/TIA 568 C.2).
- e. Life(mating cycles) :
 - e-1. Jack : 750 cycles min. (ISO/IEC 11801, IEC 60603-7-4.)
 - e-2. IDC : Suitable for 23-26 AWG stranded and solid wire, compatible with both 110 & Krone punch down tool.
 - e-3. Tool-less : When using the IDC Cap for wire management.
- f. The Cat.6 transmission performance is in compliance with the ANSI/TIA 568 C.2 standard.

Remark : AADBC01114000XX

(1)XX : Housing Color (1)
 01=Black, 02=Gray, 03=Red, 05=White,
 06=Yellow, 07=Blue, 08=Green, 09=Orange, 13=Ivory.

GENERAL TOLERANCE OF DIMENSIONS X.XXX ±0.005 X.XX ±0.05 X.X ±0.1	DRAWING	08.AUG.2014	CHP	 www.allconnectors.de info@allconnectors.de Tel.: 0049 733 200900 70724 Filzstreck - Germany
	CHECK	08.AUG.2014	DAY	
	APPROVAL	08.AUG.2014	JAIMY	3J01-A01-00008
		DATE	NAME	ITEM NO.: AADBC01114000XX
	SCALE	1/1 (A4)	UNIT	mm
				DES.: CAT.6 UNSHIELDED KEYSTONE JACK
	DRAWING NO.	AADBC01114000XX KJ28F-C6-US-XX(SA5)		
	DRAWING CLASSIFICATION	S	SHEET 1 OF 1	